
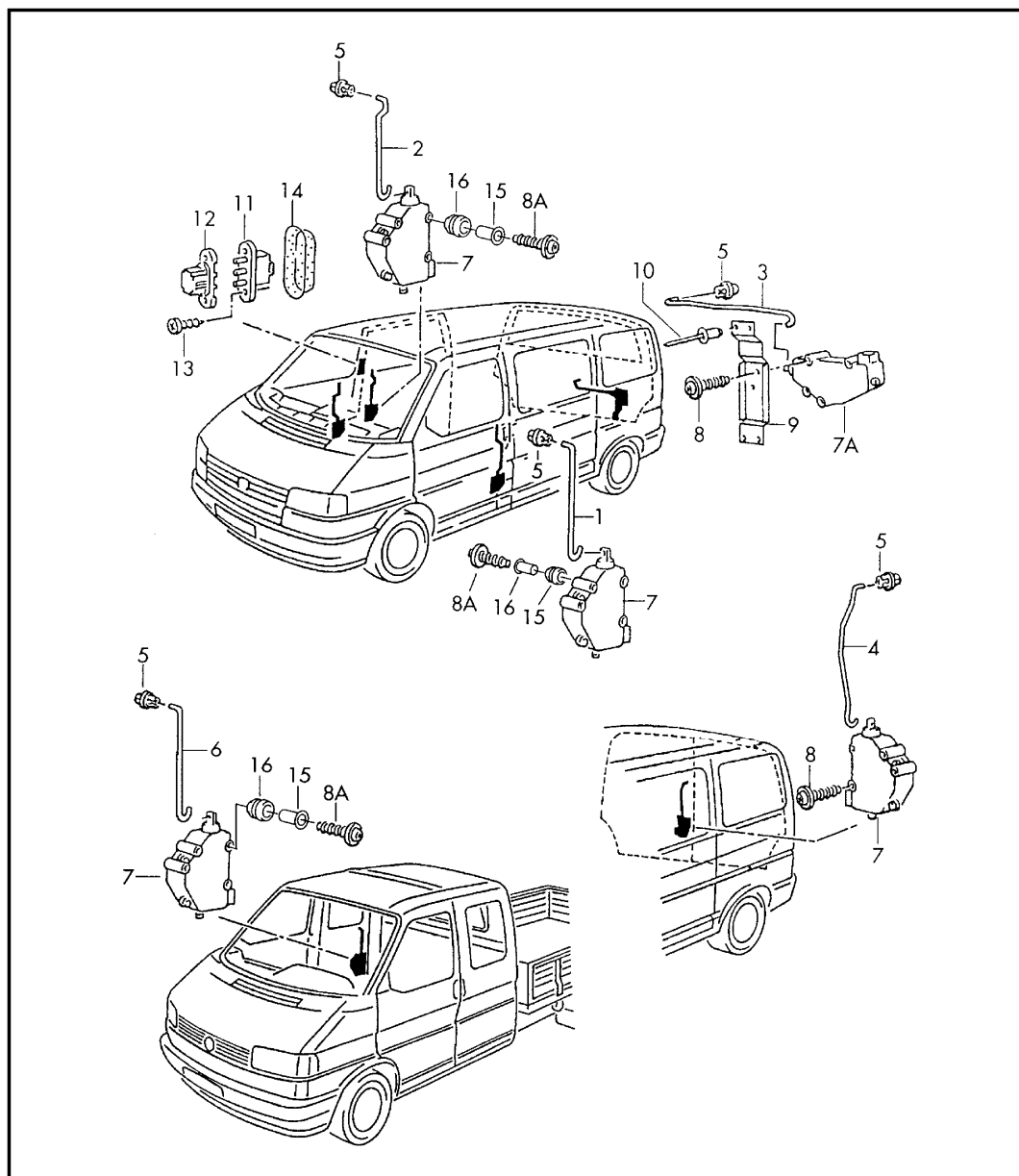


Model	Year	MG	SG	Illustration	Restrictions	UPD	13:24	15.09.200		ETKA
TR	2003	8	62	862-00	70-3-000 001 >> 70-3-250 000	640				



Pos	Part Number	Description	Remark	Qty	Model
		central locking system			
(1)	7D0 862 163	connecting rod for driver and passenger door		2	
2	701 862 170	connecting rod for sliding door		1	
(3)	701 862 175 B	connecting rod tailgate/boot lid panel		1	
4	701 862 175 A	connecting rod for wing door		1	
5 +	171 837 199	clip		4	
6	729 841 189	connecting rod crew cab door		1	double cab
7	7D0 959 781 A	positioning motor driver and passenger door for sliding door		4	
-	701 972 390 B	wiring harness adapter for vehicles with central locking system positioning motor	use if required: 701 972 390 B	4	
-	701 972 390 B	wiring harness adapter for vehicles with central locking system positioning motor		1	
7A	7D0 959 781 A	positioning motor tailgate/boot lid panel		1	
-	701 972 390 C	wiring harness adapter for vehicles with central locking system positioning motor	use if required: 701 972 390 C ** see current flow diagram *	1	
-	701 972 390 C	wiring harness adapter for vehicles with central locking system positioning motor		1	
-	191 972 713	flat connector housing	3 pin	1	
-	357 972 754 H	flat contact housing	3 pin	1	
8	433 862 195	cheese head bolt	4,2X16	X	
11-14		see illustration:	959-10		
15	701 862 306	bush		2	
16	701 862 305	rubber bush		2	